

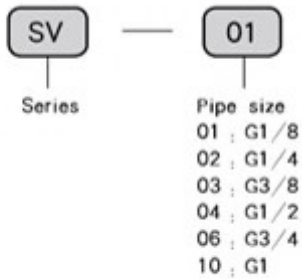
Speed Control Valve



● Character

It is a one-way flow control valve which can regulate the flow of compressed air in air passage. It will control forward flow and not control reversed flow, so as to change the oneway movement speed of executive components such as air cylinder.

● Ordering Code



■ Technical Parameter

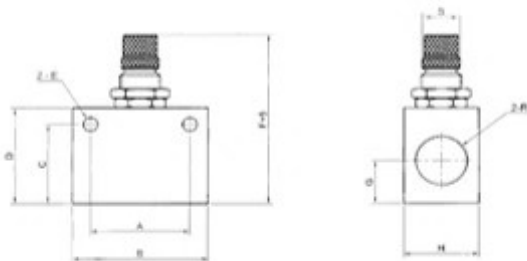
Specification/Item		Pipe size	Applicable Medium	Min. Operating Pressure	Pressure Range	Medium Temperature
Precision type	SV-01	G1/8	Air	0.03MPa	0.05 ~ 1.2 MPa	-5 ~ 60°C
	SV-02	G1/4				
	SV-03	G3/8				
	SV-04	G1/2				
Basic type	ST-01	G1/8			0.05 ~ 0.8 MPa	-5 ~ 60°C
	ST-02	G1/4				
	ST-03	G3/8				
	ST-04	G1/2				
	ST-06	G3/4				
	ST-10	G1				

■ Graphics Sign



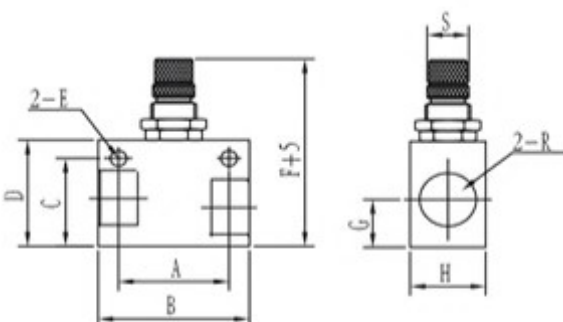
■ Figure Dimension

● Precision Type



Specification	SV-01	SV-02	SV-03	SV-04
A	24.5	24.5	38	38
B	35	35	50	50
C	21	21	33	33
D	26	26	40	40
E	φ 4.5	φ 4.5	φ 5.5	φ 5.5
F	50	50	68	68
G	10	10	16	16
H	16	19	25	25
R	G1/8	G1/4	G3/8	G1/2
S	M12	M12	M16	M16

● Basic Type



Specification	ST-01	ST-02	ST-03	ST-04	ST-06	ST-10
A	22	26	30	30	47	60
B	32	36	40	40	65	80
C	18	22	25	30	53	52.5
D	23	27	30	35	59.5	60
E	φ 4.3	φ 4.3	φ 4.3	φ 4.3	φ 8.5	φ 8.5
F	46/54	50/58	53/61	58/66	109/119	112/122
G	9.6	12	13	15	29.8	30
H	17	18	22	26	35	44
R	G1/8	G1/4	G3/8	G1/2	G3/4	G1
S	M14	M14	M14	M14	-	-